

IC Chip Package Feet Coplanarity Tester



Applications:

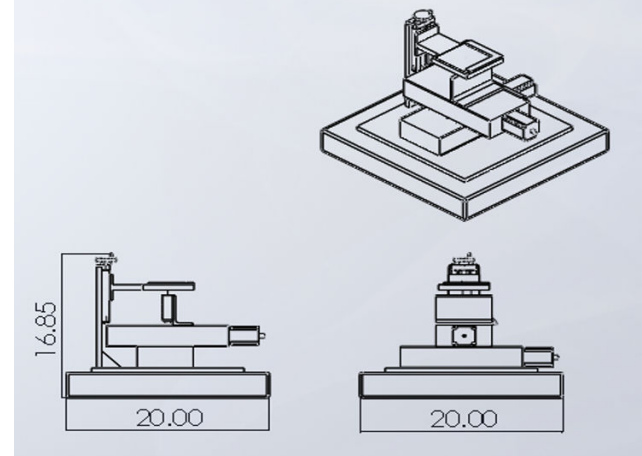
Feet up or down scanning, parts in trays automatically scanned,
Fast check of coplanarity.

Specs:

	MODEL # CMDDB1
X Travel	150mm (6 inches)
Y Travel	150mm (6 inches)
Weight	18kg (40 lbs)
Electrical Requirement	120V
Air/Water Required	None
Sample Size Max	150x150mm (6 x 6 inches)
Sample Weight Max	4.5kg (10lbs)
Resolution X	Depends on ballscrew chosen (typ. 1.25 μ m)
Resolution Y	Depends on ballscrew chosen (typ. 1.25 μ m)
Resolution Z	Down to +/- 0.01 μ m,(typ.+/-0.500 μ m)

Options :

Ultra Precision Ballscrew	(1 mm/rev, 2 mm/rev, & 5 mm/rev)
X Travel	100 – 450mm (4 – 18 inches)
Y Travel	100 – 450mm (4 – 18 inches)
Multiple Sensor Configurations Available	
Standard Sensor	2mm range @ 1 μ m resolution
CLA options	0.14mm-10mm @.01 μ m resolution
Line Laser options	Standard Line, High Speed Line, & Long Range Line
Alternative Power Options Available	(110/220/230V 50/60 HZ)



Warranty : 1Yr parts/labor. User pays shipping to service center. Return shipping included.