



3D Conveyance Scanner

Applications:

Large / Medium Parts. Defect detection.
Height Detection, Length / Width Detection.
Fully Automated Part Scanning.

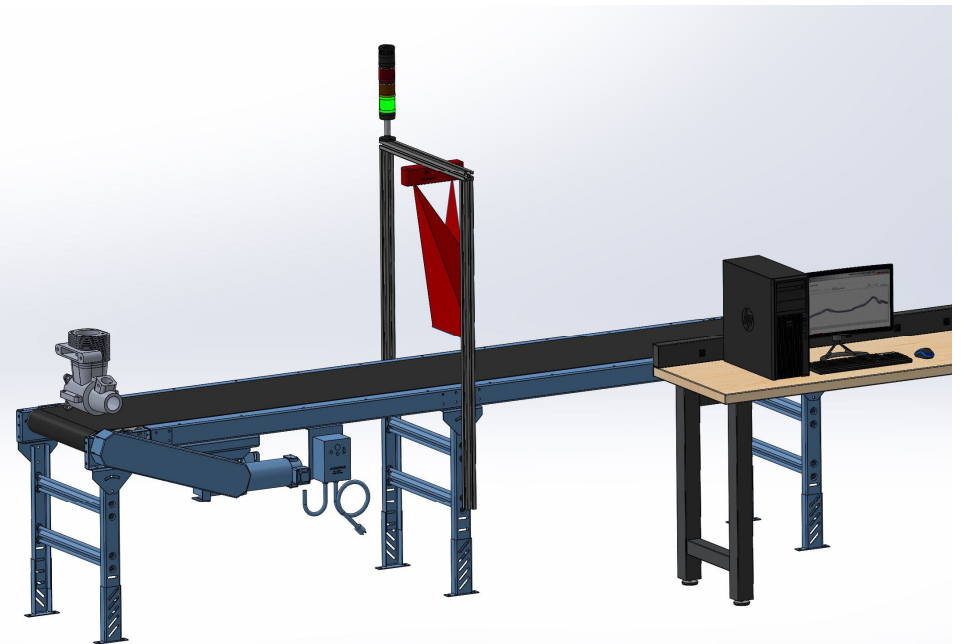
Specs:

MODEL # GC2170S

Conveyor Length	1825 mm (72 inches)
Part Width Max.	600mm (24 inches)
Machine Weight	150kg (330 lbs)
Electrical Requirements	120V
Air/Water Required	None
Sample Weight Max	100kg (220 lbs)
Resolution X	Depends on sensor chosen (typ. 5 μ m)
Resolution Y	Depends on sensor chosen (typ. 5 μ m)
Resolution Z:	Varies on sensor (typ. +/-2.00 μ m)

Options:

High Speed Options Available	
Conveyor Options Available	
Multiple Sensor Configurations Available	
Standard Sensor	12" wide line laser, 300 mm range @ +/- 2 μ m resolution
CLA options	10-100mm range
Line Laser options	Standard Line, High Speed Line, & Long Range Line
Alternative Power Options Available	(110/220/230V 50/60 HZ)



- Can add PLC tie in.
- Multiple sensors can be linked to cover larger areas
- Light Tree Option
- Audible alarm option

Warranty : 1Yr parts/labor. User pays shipping to service center. Return shipping included.