



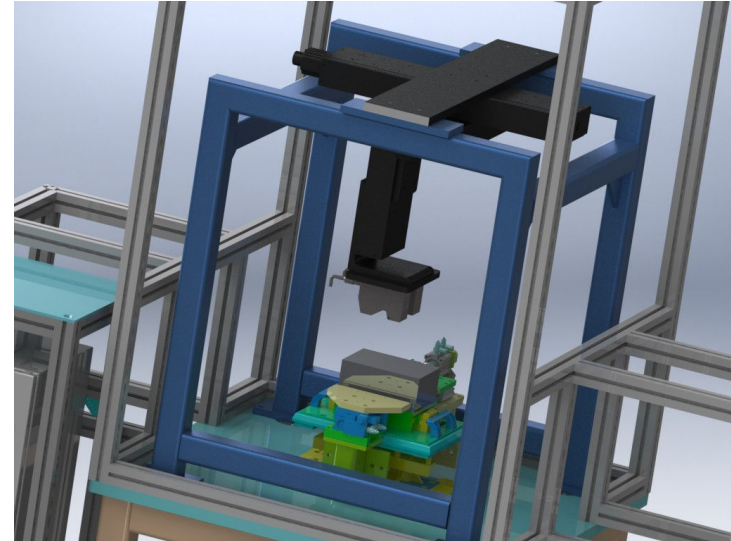
# Commander 3 Axis Scanning Cell

## Applications:

Fully automated production line  
Scanning module. Tie in to PLC.

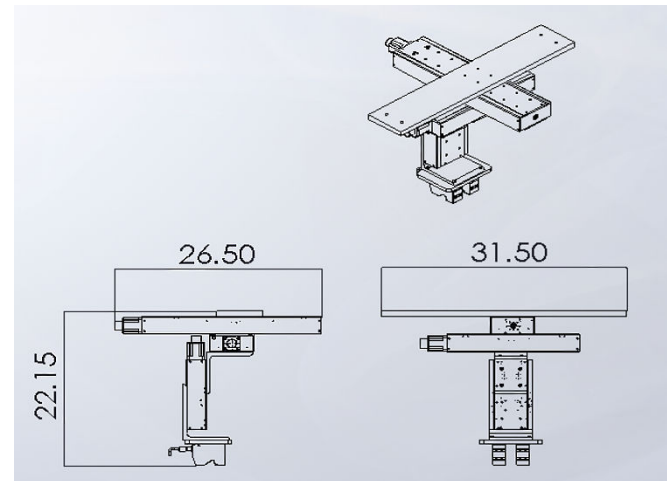
## Specs:

	MODEL # VOYGR3-DSW3
X Travel	400mm ( 16 inches)
Y Travel	300mm ( 12 inches)
Z Travel	100mm ( 4 inches)
Weight	100kg ( 220 lbs )
Electrical Requirements	120V
Air/Water Required	None
Sample Size Max	400x300x100mm ( 16 x 12 x 4 inches)
Sample Weight Max	1000kg (2200lbs)
Resolution X	Depends on ballscrew chosen (typ. 1.25µm)
Resolution Y	Depends on ballscrew chosen (typ. 1.25µm)
Resolution Z	Varies by sensor chosen (typ +/- 5 µm)



## Options:

Ultra Precision Ballscrew	( 1, 2, 5, & 10 mm/rev)
X Travel	100 – 600mm ( 4 – 24 inches)
Y Travel	100 – 600mm ( 4 – 24 inches)
Z Travel	100 – 200mm ( 4 – 8 inches)
Larger than 20" (500 mm) travel requires gantry option	
Multiple Sensor Configurations Available	
Standard Sensor	Line Laser at +/- 5 µm resolution
CLA options	0.14mm-10mm @.01 µm resolution
Line Laser options	Standard Line, High Speed Line, & Long Range Line
Alternative Power Options Available	(110/220/230V 50/60 HZ)



**Warranty** : 1Yr parts/labor. User pays shipping to service center. Return shipping included.