

# Commander 2 Axis Die Scanner



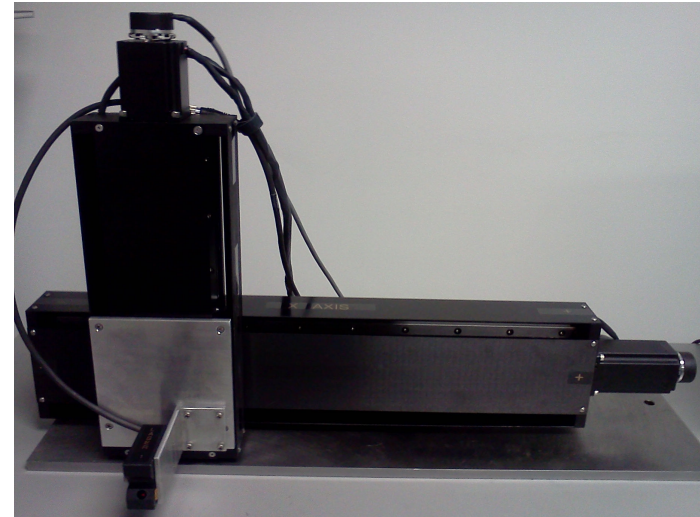
## Applications:

Long parts scanning. Die scanning.

## Specs:

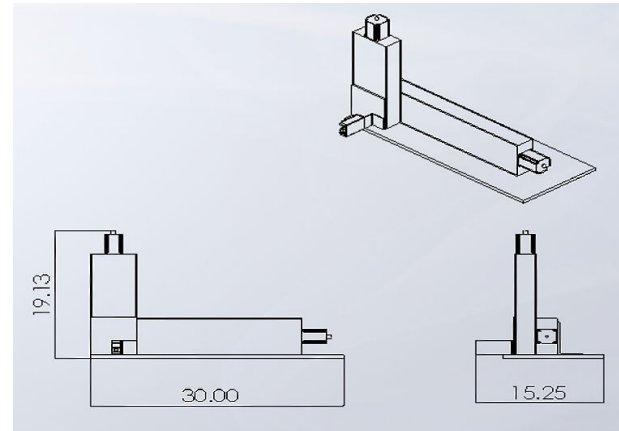
X Travel	455mm ( 18 inches)
Y Travel	200mm ( 8 inches )
Machine Weight	20kg ( 44 lbs )
Electrical Requirements	120V
Air/Water Required	None
Sample Size Max	455x200mm (18 x 8 inches)
Sample Weight Max	1000kg (2200lbs)
Resolution X	Depends on ballscrew chosen (typ. 1.25µm)
Resolution Y	Depends on ballscrew chosen (typ. 1.25µm)
Resolution Z	Varies on sensor (typ. +/-0.500 µm)

MODEL # VOYGR2-DS



## Options:

Ultra Precision Ballscrew	( 1, 2, 5, & 10 mm/rev)
X Travel	100 – 600mm ( 4 – 12 inches)
Y Travel	100 – 1524mm ( 4 – 60 inches)
Larger than 20" (500 mm) travel requires gantry option	
Multiple Sensor Configurations Available	
Standard Sensor	2mm range @ 1µm resolution
CLA options	0.14mm-10mm @.01 µm resolution
Line Laser options	Standard Line, High Speed Line, & Long Range Line
Alternative Power Options Available (110/220/230V 50/60 HZ)	



**Warranty** : 1Yr parts/labor. User pays shipping to service center. Return shipping included.