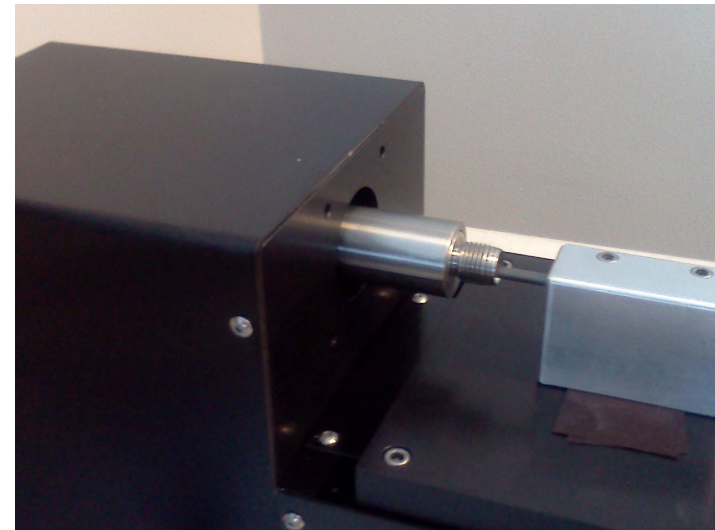




Commander 2 Axis Small Part ID Scanner

Applications:

Small parts, fittings, seals.
Defect or scratch detection.

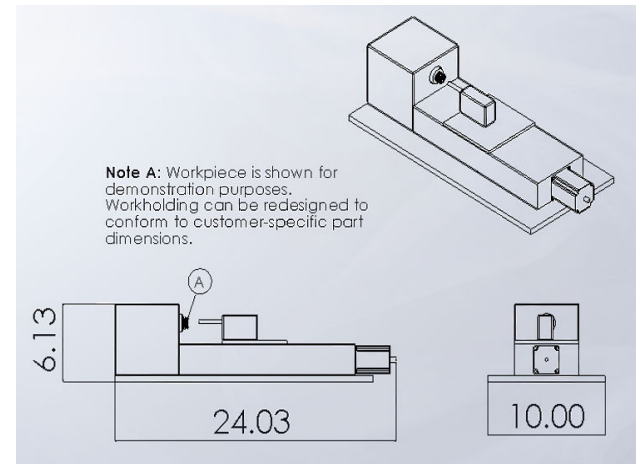


Specs:

	MODEL # VOYGR-DSR
X Travel	200mm (8 inches)
Θ Rotational	360 degrees
Machine Weight	20kg (44 lbs)
Electrical Requirements	120V
Air/Water Required	None
Small Parts Scanner	
Resolution X	Depends on ballscrew chosen (typ. 1.25μm)
Resolution Θ	typ. 0.09°
Resolution Z	Varies on sensor (typ. +/-0.500 μm)

Options:

Ultra Precision Ballscrew	(1, 2, 5, & 10 mm/rev)
Rotary options:	6" & 8" Diameters
	(45:1,90:1 & 180:1 ratios available)
X Travel	100 – 600mm (4 – 24 inches)
Θ Travel	Rotary 360 degrees
Multiple Sensor Configurations Available	
Standard Sensor	4 mm range @ 2 μm resolution
CLA options	0.14mm-10mm @.01 μm resolution
Line Laser options	Standard Line, High Speed Line, & Long Range Line
Alternative Power Options Available	(110/220/230V 50/60 HZ)



Warranty : 1Yr parts/labor. User pays shipping to service center. Return shipping included.