



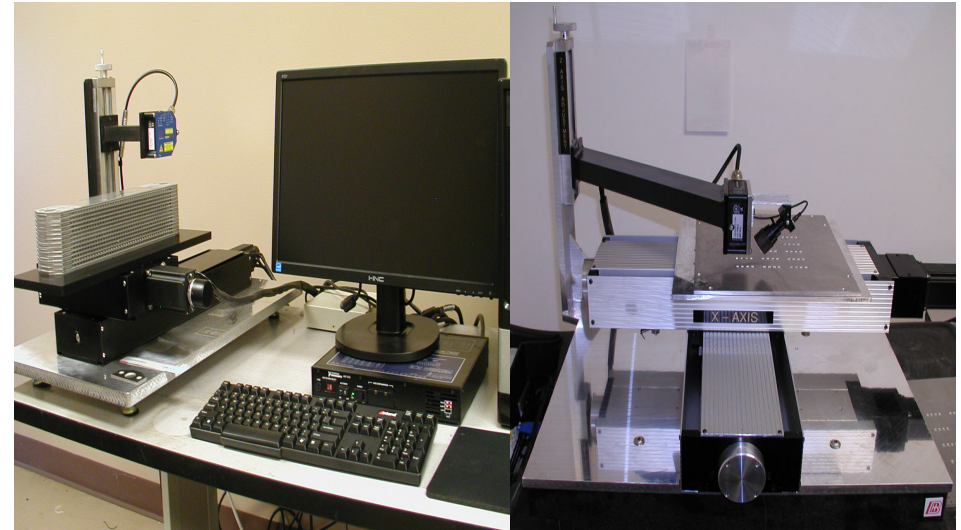
Commander 2 Axis Path / Recipe Scanner

Applications:

Path or recipe driven.
Easy to load in new paths.
Gasket, Seal, trayed parts.

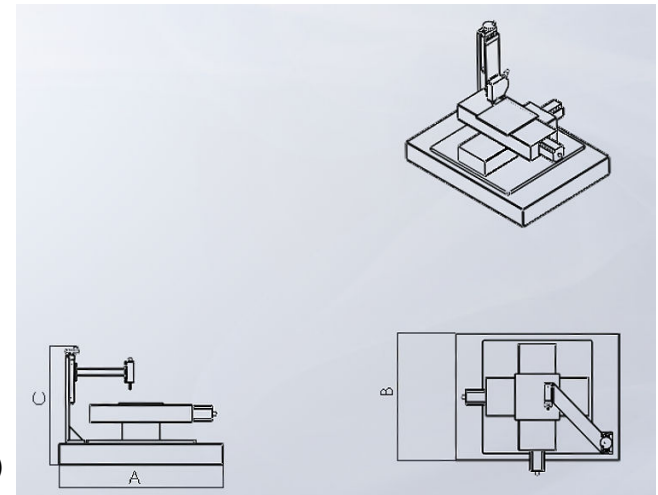
Specs:

| | |
|-------------------------|---|
| | MODEL # CMDR-3D Path |
| X Travel | 300mm (12 inches) |
| Y Travel | 450mm (18 inches) |
| Machine Weight | 30kg (66 lbs) |
| Electrical Requirements | 120 V |
| Air/Water Required | None |
| Sample Size Max | 300 x 450 mm (12 x 18 inches) |
| Sample Weight Max | 11kg (25lbs) |
| Resolution X | Depends on ballscrew chosen (typ. 1.25µm) |
| Resolution Y | Depends on ballscrew chosen (typ. 1.25µm) |
| Resolution Z | Varies on sensor (typ. +/-0.500 µm) |



Options:

| | |
|--|--|
| Ultra Precision Ballscrew | (1, 2, 5, & 10 mm/rev) |
| Rotary options | 6" & 8" Diameter (45:1,90:1 & 180:1 ratios available) |
| X Travel | 4 -- 24 inches (100 - 600 mm) |
| Y Travel | 4 -- 24 inches (100 - 600 mm) |
| Larger than 20" (500 mm) travel requires gantry option | |
| Multiple Sensor Configurations Available | |
| Standard Sensor | 10mm range @ 2 µm resolution |
| CLA options | 0.14mm-10mm @.01 µm resolution |
| Line Laser options | Standard Line, High Speed Line, & Long Range Line |
| Alternative Power Options Available | (110/220/230V 50/60 HZ) |



Warranty : 1Yr parts/labor. User pays shipping to service center. Return shipping included.